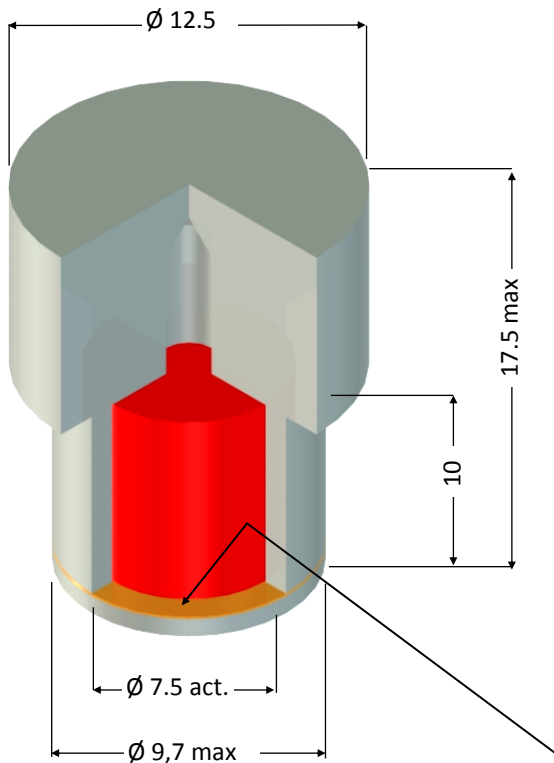


Sealed Sources for Industrial Gauging. M85K01 Series Kr-85 Beta Sources



Technical Specification

ISO Classification:	C43322
Recommended Working Life:	15 Years
Quality Control Tests	In accordance with ISO2919/ ISO9978
Quality System Compliance	ISO9001
Active Material	Krypton gas
Capsule Material	Titanium Grade 2
Maximum internal gas pressure	500 kPa (abs)
Minimum internal fill pressure	150 kPa (abs)

Capsules are supplied with a stainless steel protective cover for transmission window
For more detailed information please refer to product specification SP M85K01-2016 available on request from RAIMS Limited.

Transmission window thickness 0.025mm

Product Availability

Nominal Activity		Product Code
mCi	GBq	
100	3.7	M85K01-23
200	7.4	M85K01-27
300	11.1	M85K01-29
400	14.8	M85K01-31
500	18.5	M85K01-33

Standard tolerance on activity +/- 10%

Country of Origin

Sources are designed and manufactured by FSUE "MAYAK" P.A., Lenin Pr., 31, Ozyorsk, 456780, Russia.

Ordering Process

To specify the source required state the product code and nominal activity. e.g. MK8501-29, 300 mCi.

Contact

RAIMS Ltd, Suite F, Breakspear Park, Hemel Hempstead. United Kingdom. HP2 4TZ
Tel +44 (0) 1442 345 063 , +44 (0) 7764 197 440 e-mail: corporate@raims.co.uk web: www.raims.co.uk