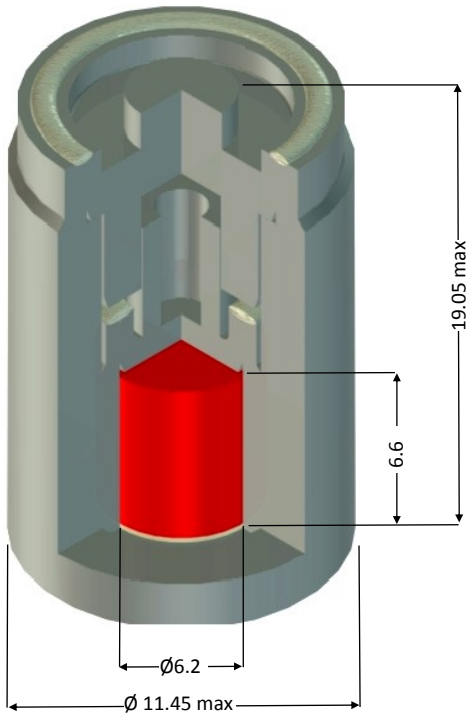


Sealed Sources for Oil Well Logging M37C24 Series Cs-137 Sources

Technical Specification



Special Form Certificate:	RUS/1089/S-96
ISO Classification:	C66646
Recommended Working Life:	15 Years
Quality Control Tests	In accordance with ISO2919/ ISO9978
Quality System Compliance	ISO9001
Active Material	Non-leachable ceramic
Capsule Material	Inner capsule: Stainless steel grade 316L Outer capsule: MP35N AMS5844
Source maximum operating pressure/ temperature	138 MPa @ 200 deg. C. 20,000 psi @ 400 deg. F.

For more detailed information please refer to specification SP M37C24 - 2016 available on request from RAIMS limited.

Product Availability

Nominal Activity		Nominal Radiation Output (AKR)	Product Code
Ci	GBq	mGy/sec @1m	
1.00	37	0.80	M37C24-37
1.50	55	1.20	M37C24-42
2.00	74	1.60	M37C24-43
2.50	93	2.00	M37C24-44

Standard tolerance on activity: +/- 15%

Country of Origin

Sources are designed and manufactured by FSUE "MAYAK" P.A., Lenin Pr., 31, Ozyorsk, 456785, Russia.

Ordering Process

To specify the source required state the Product Code and nominal activity. e.g. M37C24-43, 2 Ci.

Contact

RAIMS Ltd, Suite F, Breakspear Park, Hemel Hempstead. United Kingdom. HP2 4TZ
Tel +44 (0) 1442 345 063, +44 (0) 7764 197 440 e-mail: corporate@raims.co.uk web: www.raims.co.uk