

**Sealed Sources for Industrial Gauging, and Instrument Calibration
ИБН-241-1 to -19 (IBN-241 -1 to -19) Series Am-241/Be Neutron Sources**

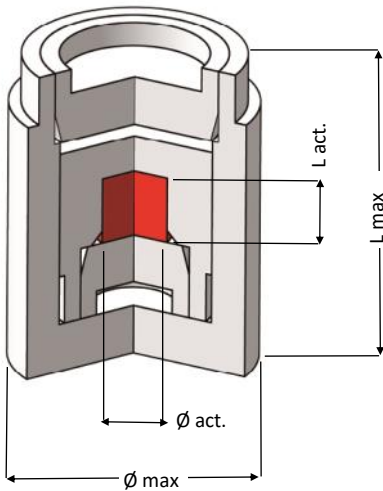


Fig. 1

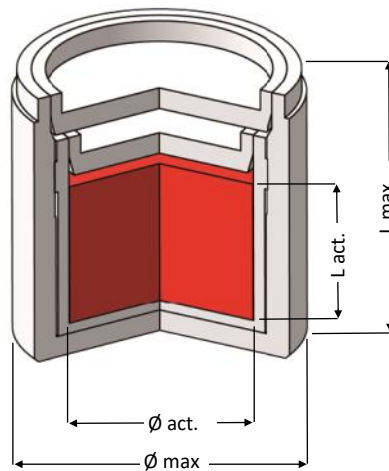


Fig. 2

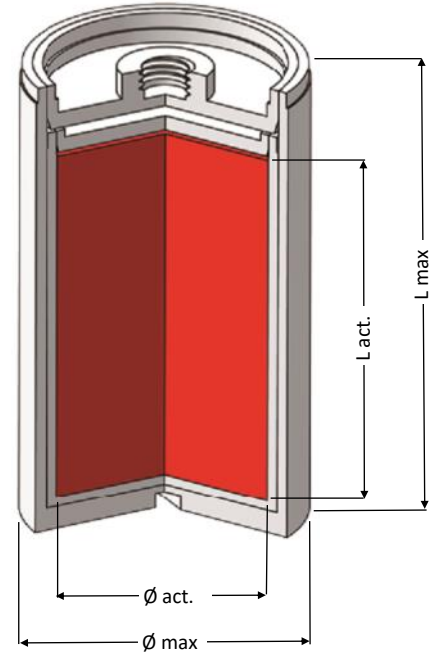


Fig. 3

Technical Specification

Special Form Certificate:	RUS/6137/S-96
ISO Classification:	C(E)65546
Recommended Working Life:	10 Years
Quality Control Tests	In accordance with ISO2919/ ISO9978
Quality System Compliance	ISO9001
Active Material	Intermetallic compound of Americium-241 Oxide and Beryllium metal
Capsule Material	Stainless steel grade 316L/300 series/ High alloy steel depending on capsule code chosen
Capsule Type	Configuration as above. See table.

Country of Origin

Sources are designed and manufactured by FSUE "MAYAK" P.A., Lenin Pr., 31, Ozyorsk, 456780, Russia.

Ordering Process

To specify the source required state the product code in Russian or English and maximum activity. e.g. IBN-241-14-8, 1.20 Ci. Product certification shall use the Russian script product code only.

Contact

RAIMS Ltd, Suite F, Breakspear Park, Hemel Hempstead. United Kingdom. HP2 4TZ
Tel +44(0)1442345063 e-mail: corporate@raims.co.uk web: www.raims.co.uk

Product Availability

Neutron Output n.sec ⁻¹ (4π)	Max. Activity Am-241	φMax (mm)	L max (mm)	φ active (mm)	L active (mm)	Schematic ref.	Product Code (Official Russian)	Product Code (English)
(2.20±0.18)·10 ³	1.10 mCi	17.475	19.40	13.9	11.9	Fig. 1	ИБН-241-14-1	IBN-241-14-1
(6.60±0.53)·10 ³	3.30 mCi	17.475	19.40	13.9	11.9	Fig. 1	ИБН-241-14-2	IBN-241-14-2
(2.20±0.18)·10 ⁴	11.0 mCi	17.475	19.40	13.9	11.9	Fig. 1	ИБН-241-14-3	IBN-241-14-3
(2.20±0.18)·10 ⁴	11.0 mCi	7.920	15.20	4.4	9	Fig. 1	ИБН-241-18-1	IBN-241-18-1
(2.20±0.18)·10 ⁴	11.0 mCi	22.475	31.20	17.4	17.6	Fig. 3	ИБН-241-15-1	IBN-241-15-1
(2.60±0.26)·10 ⁴	11.0 mCi	7.844	10.00	4.4	4.6	Fig. 1	ИБН-241-10-1	IBN-241-10-1
(6.60±0.46)·10 ⁴	33.0 mCi	7.920	15.20	4.4	9	Fig. 1	ИБН-241-18-2	IBN-241-18-2
(6.60±0.53)·10 ⁴	33.0 mCi	17.475	19.40	13.9	11.9	Fig. 1	ИБН-241-14-4	IBN-241-14-4
(7.50±0.75)·10 ⁴	37.5 mCi	7.844	10.00	4.4	4.6	Fig. 1	ИБН-241-10-2	IBN-241-10-2
(9.00±0.90)·10 ⁴	44.0 mCi	7.844	10.00	4.4	4.6	Fig. 1	ИБН-241-10-3	IBN-241-10-3
(1.00±0.20)·10 ⁵	65.0 mCi	10.29	13.00	3	3	Fig. 1	ИБН-241-1-1	IBN-241-1-1
(1.10±0.08)·10 ⁵	55.0 mCi	7.920	15.20	4.4	9	Fig. 1	ИБН-241-18-3	IBN-241-18-3
(1.10±0.09)·10 ⁵	55.0 mCi	9.070	12.80	5.2	4.8	Fig. 1	ИБН-241-11-1	IBN-241-11-1
(1.75±0.14)·10 ⁵	88.0 mCi	7.920	15.20	4.4	9	Fig. 1	ИБН-241-18-4	IBN-241-18-4
(2.00±0.40)·10 ⁵	129 mCi	12.2	16.00	4	4	Fig. 1	ИБН-241-2-1	IBN-241-2-1
(2.20±0.18)·10 ⁵	110 mCi	7.920	15.20	4.4	9	Fig. 1	ИБН-241-18-5	IBN-241-18-5
(2.20±0.18)·10 ⁵	110 mCi	9.070	12.80	5.2	4.8	Fig. 1	ИБН-241-11-2	IBN-241-11-2
(2.20±0.18)·10 ⁵	110 mCi	17.475	19.40	13.9	11.9	Fig. 1	ИБН-241-14-5	IBN-241-14-5
(2.45±0.20)·10 ⁵	110 mCi	12.740	13.20	9.2	7.2	Fig. 2	ИБН-241-12-1	IBN-241-12-1
(4.40±0.35)·10 ⁵	220 mCi	12.740	13.20	9.2	7.2	Fig. 2	ИБН-241-12-2	IBN-241-12-2
(4.40±0.35)·10 ⁵	220 mCi	22.475	31.20	17.4	17.6	Fig. 3	ИБН-241-15-2	IBN-241-15-2
(5.00±1.00)·10 ⁵	330 mCi	12.2	16.00	5	5	Fig. 1	ИБН-241-2-2	IBN-241-2-2
(6.60±0.53)·10 ⁵	330 mCi	17.475	19.40	13.9	11.9	Fig. 1	ИБН-241-14-6	IBN-241-14-6
(1.00±0.08)·10 ⁶	480 mCi	17.475	19.40	13.9	11.9	Fig. 1	ИБН-241-14-7	IBN-241-14-7
(1.00±0.20)·10 ⁶	650 mCi	15.2	18.00	6	6	Fig. 1	ИБН-241-4-1	IBN-241-4-1
(1.10±0.08)·10 ⁶	500 mCi	22.475	31.20	17.4	17.6	Fig. 3	ИБН-241-15-3	IBN-241-15-3
(2.00±0.16)·10 ⁶	990 mCi	17.475	19.40	13.9	11.9	Fig. 1	ИБН-241-14-8	IBN-241-14-8
(2.00±0.40)·10 ⁶	1.29 Ci	15.2	20.00	8	8	Fig. 1	ИБН-241-5-1	IBN-241-5-1
(2.20±0.18)·10 ⁶	1.00 Ci	22.475	31.20	17.4	17.6	Fig. 3	ИБН-241-15-4	IBN-241-15-4
(2.45±0.20)·10 ⁶	1.22 Ci	22.475	31.20	17.4	17.6	Fig. 3	ИБН-241-15-5	IBN-241-15-5
(5.00±1.00)·10 ⁶	3.30 Ci	18.2	22.00	10	10	Fig. 1	ИБН-241-6-1	IBN-241-6-1
(6.50±0.52)·10 ⁶	3.80 Ci	14.350	31.75	11.3	25	Fig. 1	ИБН-241-13-1	IBN-241-13-1
(6.60±0.53)·10 ⁶	3.00 Ci	22.475	48.60	17.4	35	Fig. 3	ИБН-241-16-1	IBN-241-16-1
(1.00±0.20)·10 ⁷	6.50 Ci	21.2	25.00	13	13	Fig. 1	ИБН-241-7-1	IBN-241-7-1
(1.10±0.08)·10 ⁷	5.00 Ci	30.131	60.20	25.1	46	Fig. 3	ИБН-241-17-1	IBN-241-17-1
(2.00±0.40)·10 ⁷	12.9 Ci	24.2	30.00	16	16	Fig. 1	ИБН-241-8-1	IBN-241-8-1
(2.20±0.15)·10 ⁷	10.0 Ci	30.131	60.20	25.1	46	Fig. 3	ИБН-241-17-2	IBN-241-17-2
(3.00±0.24)·10 ⁷	15.0 Ci	30.131	60.20	25.1	46	Fig. 3	ИБН-241-17-3	IBN-241-17-3

Other activities available on request. Please enquire.

Contact

RAIMS Ltd, Suite F, Breakspear Park, Hemel Hempstead. United Kingdom. HP2 4TZ
 Tel +44(0)1442345063 e-mail: corporate@raims.co.uk web: www.raims.co.uk