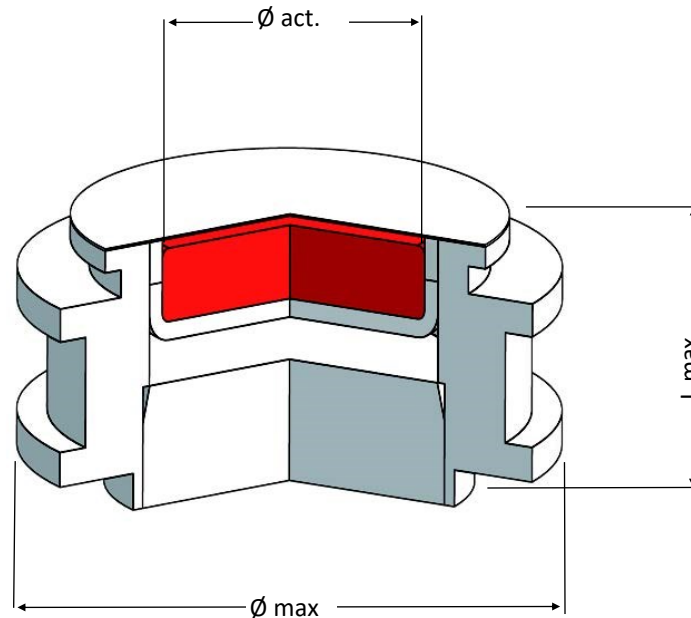


**Sealed Sources for Industrial Gauging.  
БИС-10,20,30,40,50 (BIS-10,20,30,40,50) Series Sr-90 Beta Sources**



**Technical Specification**

Special Form Certificate:	RUS/1001/S-96 for BIS-10 and BIS-20 capsule only
ISO Classification:	C53343
Recommended Working Life:	5 Years
Quality Control Tests	In accordance with ISO2919/ ISO9978
Quality System Compliance	ISO9001
Active Material	Non-leachable matrix of enamel, glass or zeolite loaded with Strontium carbonate
Capsule Material	Capsule: Stainless steel grade 300 series. Active material carrier: Stainless or carbon steel .
CapsuleType	Configuration as above. See table for dimensions

**Country of Origin**

Sources are designed and manufactured by FSUE "MAYAK" P.A., Lenin Pr., 31, Ozyorsk, 456784, Russia.

**Ordering Process**

To specify the source required state the capsule code in Russian or English and maximum activity. e.g. BIS-20, 15.6 mCi. Product certification shall use the Russian script product code only.

**Contact**

RAIMS Ltd, Suite F, Breakspear Park, Hemel Hempstead. United Kingdom. HP2 4TZ  
Tel +44(0)1442345063 / +44(0)7764197440 e-mail: [corporate@raims.co.uk](mailto:corporate@raims.co.uk) web: [www.raims.co.uk](http://www.raims.co.uk)

## Product Availability

Capsule Type (Official Russian)	Capsule Type (English)	Max. Activity Sr-90 & Y-90	Beta emission (sec <sup>-1</sup> )	Φ Max (mm)	φ active (mm)	L max (mm)
БИС-10	BIS-10	3.24 mCi	$(8.0 \pm 4.0) \cdot 10^6$	22	10	10
		15.6 mCi	$(63 \pm 32) \cdot 10^6$			
		32.4 mCi	$(100 \pm 50) \cdot 10^6$			
		59.0 mCi	$(160 \pm 80) \cdot 10^6$			
		162 mCi	$(400 \pm 200) \cdot 10^6$			
		324 mCi	$(630 \pm 320) \cdot 10^6$			
		590 mCi	$(1.00 \pm 0.50) \cdot 10^9$			
		950 mCi	$(1.60 \pm 0.80) \cdot 10^9$			
		1.19 Ci	$(2.00 \pm 1.00) \cdot 10^9$			
БИС-20	BIS-20	3.24 mCi	$(8.0 \pm 4.0) \cdot 10^6$	36	20	15
		15.6 mCi	$(63 \pm 32) \cdot 10^6$			
		32.4 mCi	$(100 \pm 50) \cdot 10^6$			
		59.0 mCi	$(160 \pm 80) \cdot 10^6$			
		162 mCi	$(400 \pm 200) \cdot 10^6$			
		324 mCi	$(630 \pm 320) \cdot 10^6$			
		590 mCi	$(1.00 \pm 0.50) \cdot 10^9$			
		950 mCi	$(1.60 \pm 0.80) \cdot 10^9$			
		1.19 Ci	$(2.00 \pm 1.00) \cdot 10^9$			
		1.78 Ci	$(3.20 \pm 1.60) \cdot 10^9$			
		2.57 Ci	$(4.00 \pm 2.00) \cdot 10^9$			
БИС-30	BIS-30	3.24 mCi	$(8.0 \pm 4.0) \cdot 10^6$	46	30	15
		15.6 mCi	$(63 \pm 32) \cdot 10^6$			
		32.4 mCi	$(100 \pm 50) \cdot 10^6$			
		59.0 mCi	$(160 \pm 80) \cdot 10^6$			
		162 mCi	$(400 \pm 200) \cdot 10^6$			
		324 mCi	$(630 \pm 320) \cdot 10^6$			
		590 mCi	$(1.00 \pm 0.50) \cdot 10^9$			
		950 mCi	$(1.60 \pm 0.80) \cdot 10^9$			
		1.19 Ci	$(2.00 \pm 1.00) \cdot 10^9$			
		1.78 Ci	$(3.20 \pm 1.60) \cdot 10^9$			
		2.57 Ci	$(4.00 \pm 2.00) \cdot 10^9$			

Note: Capsule Codes БИС-30 БИС-40 БИС-50 (BIS-30,-40,-50) do not have IAEA Special Form

## Product Availability

Capsule Type (Official Russian)	Capsule Type (English)	Max. Activity Sr-90 & Y-90	Beta emission (sec <sup>-1</sup> )	Φ Max (mm)	φ active (mm)	L max (mm)
БИС-40	BIS-40	3.24 mCi	$(8.0 \pm 4.0) \cdot 10^6$	58	40	16
		15.6 mCi	$(63 \pm 32) \cdot 10^6$			
		32.4 mCi	$(100 \pm 50) \cdot 10^6$			
		59.0 mCi	$(160 \pm 80) \cdot 10^6$			
		162 mCi	$(400 \pm 200) \cdot 10^6$			
		324 mCi	$(630 \pm 320) \cdot 10^6$			
		590 mCi	$(1.00 \pm 0.50) \cdot 10^9$			
		950 mCi	$(1.60 \pm 0.80) \cdot 10^9$			
		1.19 Ci	$(2.00 \pm 1.00) \cdot 10^9$			
		1.78 Ci	$(3.20 \pm 1.60) \cdot 10^9$			
		2.57 Ci	$(4.00 \pm 2.00) \cdot 10^9$			
БИС-50	BIS-50	3.24 mCi	$(8.0 \pm 4.0) \cdot 10^6$	70	50	16
		15.6 mCi	$(63 \pm 32) \cdot 10^6$			
		32.4 mCi	$(100 \pm 50) \cdot 10^6$			
		59.0 mCi	$(160 \pm 80) \cdot 10^6$			
		162 mCi	$(400 \pm 200) \cdot 10^6$			
		324 mCi	$(630 \pm 320) \cdot 10^6$			
		590 mCi	$(1.00 \pm 0.50) \cdot 10^9$			
		950 mCi	$(1.60 \pm 0.80) \cdot 10^9$			
		1.19 Ci	$(2.00 \pm 1.00) \cdot 10^9$			
		1.78 Ci	$(3.20 \pm 1.60) \cdot 10^9$			
		2.57 Ci	$(4.00 \pm 2.00) \cdot 10^9$			

Note: Capsule Codes БИС-30 БИС-40 БИС-50 (BIS-30,-40,-50) do not have IAEA Special Form

## Contact

RAIMS Ltd, Suite F, Breakspear Park, Hemel Hempstead. United Kingdom. HP2 4TZ  
 Tel +44(0)1442345063 e-mail: [corporate@raims.co.uk](mailto:corporate@raims.co.uk) web: [www.raims.co.uk](http://www.raims.co.uk)